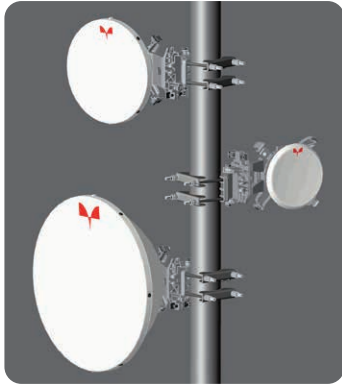


E-Band

Product Portfolio

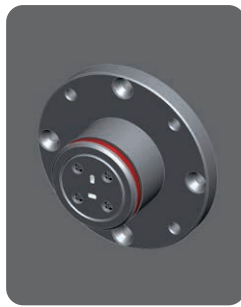
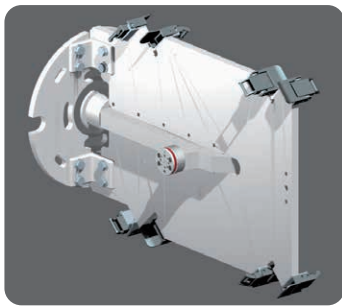
Antennas, OMT, Hybrid Couplers



E-Band Antenna (frequency range 71-86 GHz)

Diameter	20 cm (8 in)	30 cm (1 ft)	60 cm (2 ft)
Gain, dBi (low / middle / top)	40.5 / 41.0 / 41.5	45.0 / 45.5 / 46.0	50.0 / 50.5 / 51.0
V.S.W.R. / Return Loss, dB	1.5:1 / 14		
HPBW, deg	1.4	1.0	0.5
F/B, dB	59	63	68
XPD, dB	27		
Electrical Compliance*	ETSI 302 217 Class 3		
EL / AZ fine adjustment, deg	± 15 / ± 20		
Net Weight, Kg	6.7	9.0	12.3
Overall Dimensions, mm (H/W/D)	245 / 473 / 85	385 / 546 / 153	652 / 680 / 271
Wind Operational / Survival , m/s	45 / 70		

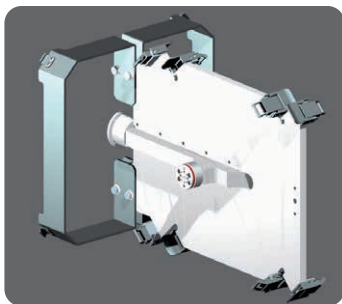
* ANATEL Class 3 Version Available
FCC Version Available



E-Band OMT for Integrated Dual Pol. (frequency range 71-86 GHz)

Insertion Loss, dB**	1.3 / 0.5
V.S.W.R. / Return Loss, dB	1.5:1 / 14
Inter-port Isolation, dB	30 dB
Net Weight, Kg**	4.3 / 0.3
Overall Dimensions, mm (H/W/D)	247 / 247 / 371

** Depending on the model



E-Band Couplers (frequency range 71-86 GHz)

Nominal Coupling, dB	-3 dB (Symmetrical)	-6 dB (Asymmetrical)
Insertion Loss, dB (main / stand-by)	4.5 / 4.5	2.6 / 8.0
V.S.W.R. / Return Loss, dB	1.35:1 / 16.5	
Inter-port Isolation, dB	18	
Net Weight, Kg	4.3	
Overall Dimensions, mm (H/W/D)	247 / 247 / 371	



Fabbrica Italiana Antenne – Faini Telecommunication Systems Srl.
via Ippolito Nievo, 75, 20900 Monza (MB) Italy
www.fainitelecommunication.com